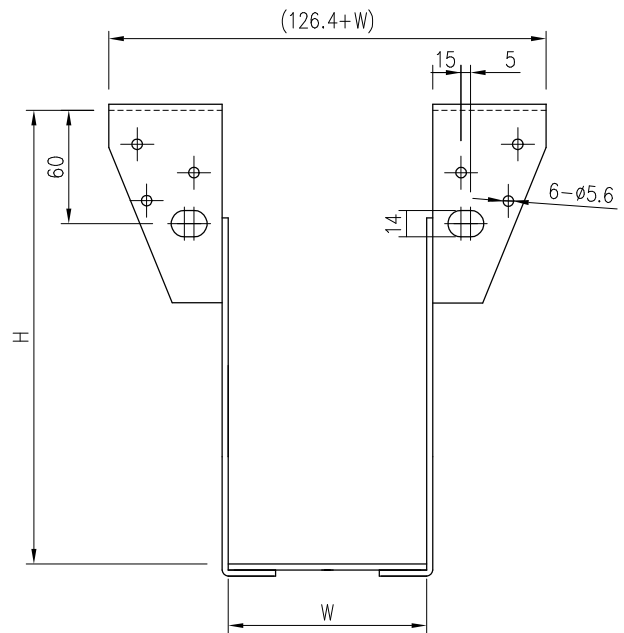
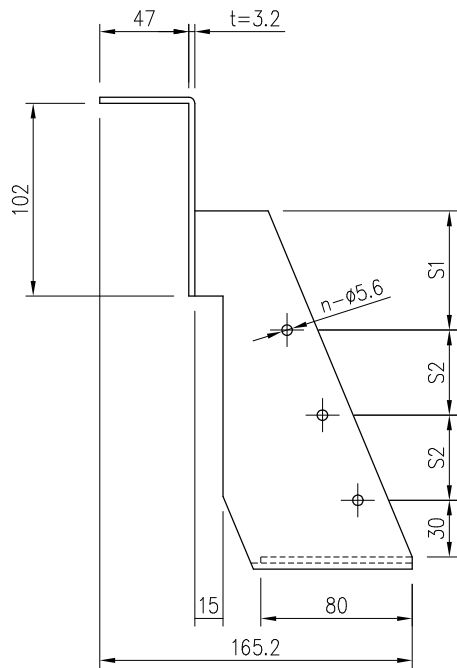
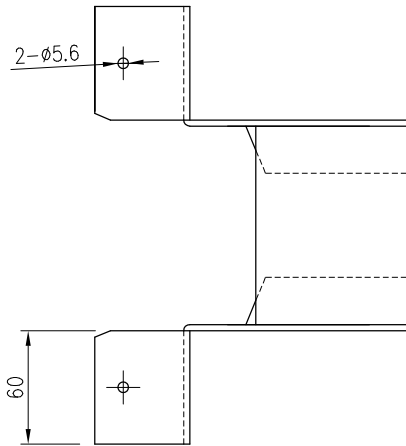


| 寸法表 | | | | | |
|----------|-----|-----|----|--------------|-----|
| 記号 | W | H | S1 | S2 (釘孔間隔) | 釘孔数 |
| KH105-15 | 105 | 150 | 33 | 30 | 12 |
| KH105-18 | 105 | 180 | 33 | 30 | 14 |
| KH105-21 | 105 | 210 | 63 | 30 | 14 |
| KH105-24 | 105 | 240 | 63 | 45 | 14 |
| KH105-27 | 105 | 270 | 93 | 45 | 14 |
| KH105-30 | 105 | 300 | 78 | 45 | 16 |
| KH105-33 | 105 | 330 | 63 | 60 | 16 |
| KH120-15 | 120 | 150 | 33 | 30 | 12 |
| KH120-18 | 120 | 180 | 33 | 30 | 14 |
| KH120-21 | 120 | 210 | 63 | 30 | 14 |
| KH120-24 | 120 | 240 | 63 | 45 | 14 |
| KH120-27 | 120 | 270 | 93 | 45 | 14 |
| KH120-30 | 120 | 300 | 78 | 45 | 16 |
| KH120-33 | 120 | 330 | 63 | 60 | 16 |



| | | | | | |
|-----------------|------------------|-------------------|----|----------|----|
| 株式会社 ナニイ | 品名 | 材質 | | 尺 度 | 確認 |
| | 大引梁受け金物 肩掛けあり | SGHC (JIS G 3302) | | 1:4 (A4) | |
| | | 表面処理 | 版 | 図面番号 | |
| | | Z27 | 01 | UK-0024 | |